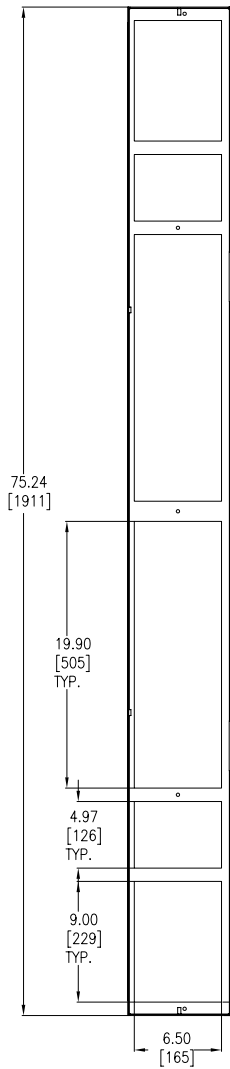


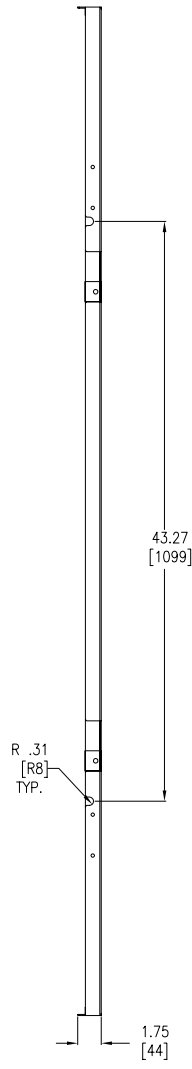
7.70
[196]

TOP VIEW

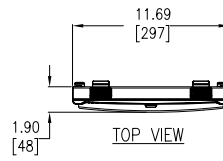


FRONT VIEW

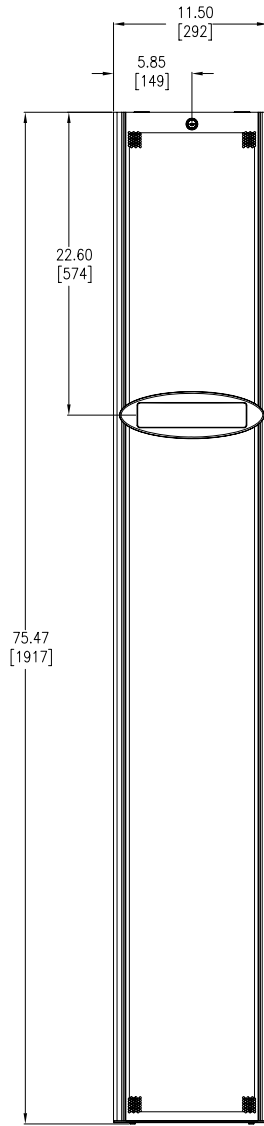
SIDE PLENUM



SIDE VIEW

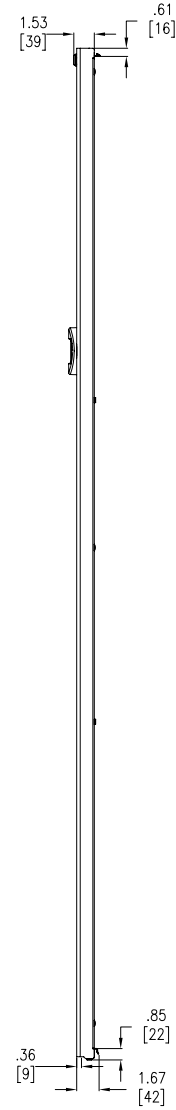


TOP VIEW

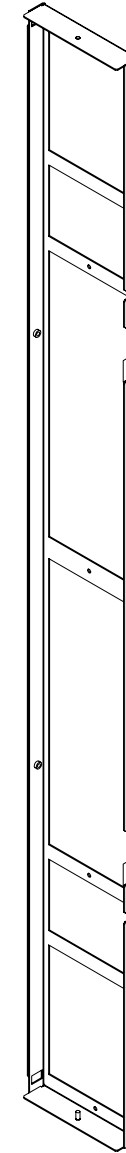


REAR VIEW

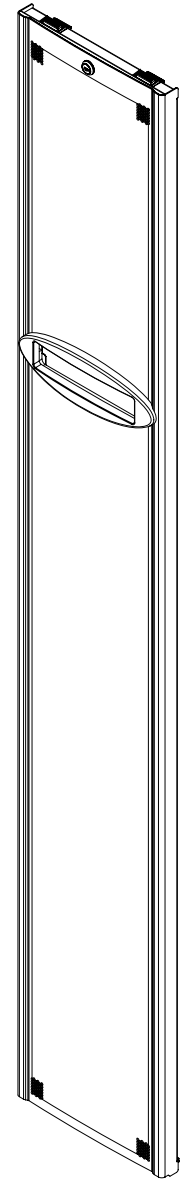
FRONT INSERT



SIDE VIEW



ISOMETRIC VIEW
SIDE PLENUM



ISOMETRIC VIEW
FRONT INSERT

NOTES:

- PLEASE REFER TO INSTALLATION MANUAL FOR DETAILS
- ALL DIMENSIONS ARE IN INCHES [MILLIMETERS].
- INSTALLATION MUST COMPLY WITH ALL APPLICABLE NATIONAL AND LOCAL CODES.

THIS DRAWING AND SPECIFICATIONS HEREIN ARE THE PROPERTY OF AMERICAN POWER CONVERSION AND SHALL NOT BE COPIED, REPRODUCED OR USED IN WHOLE OR IN PART, AS THE BASIS FOR THE MANUFACTURE OR SALE OF ITEMS WITHOUT WRITTEN PERMISSION FROM APC. THIS DRAWING IS BASED UPON LATEST AVAILABLE INFORMATION AND IS SUBJECT TO CHANGE WITHOUT NOTICE.



TITLE:

RACK AIR CONTAINMENT
FRONT ASSEMBLY FOR
INROW RC & SC
SIDE PLENUM AND FRONT INSERT

PROJECT: SUBMITTAL DRAWINGS SHEET 1 OF 3

DWG NO:

ACCS1003-MM1

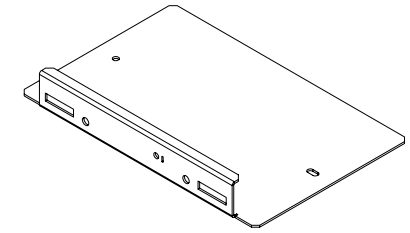
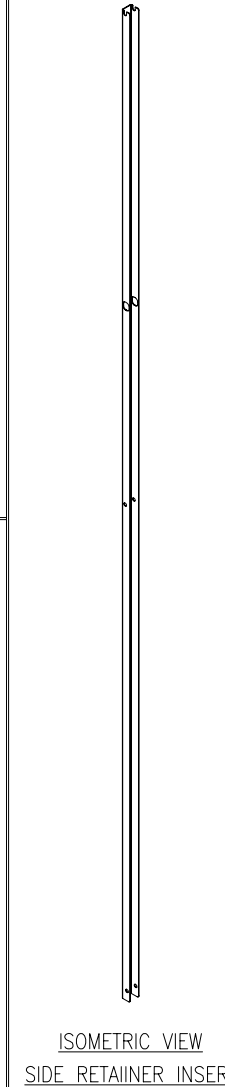
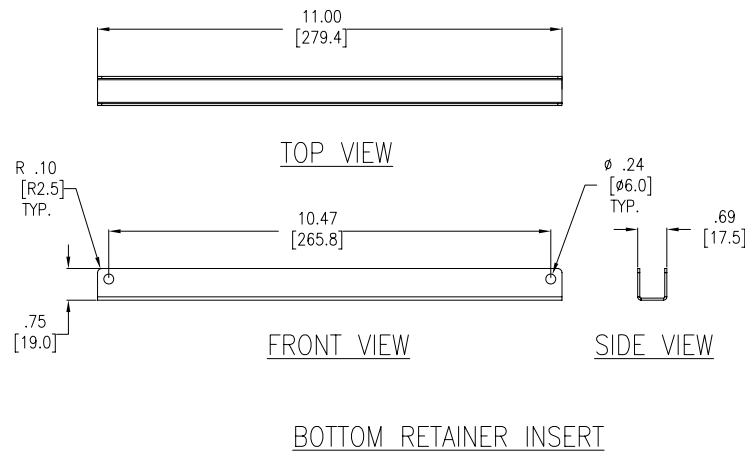
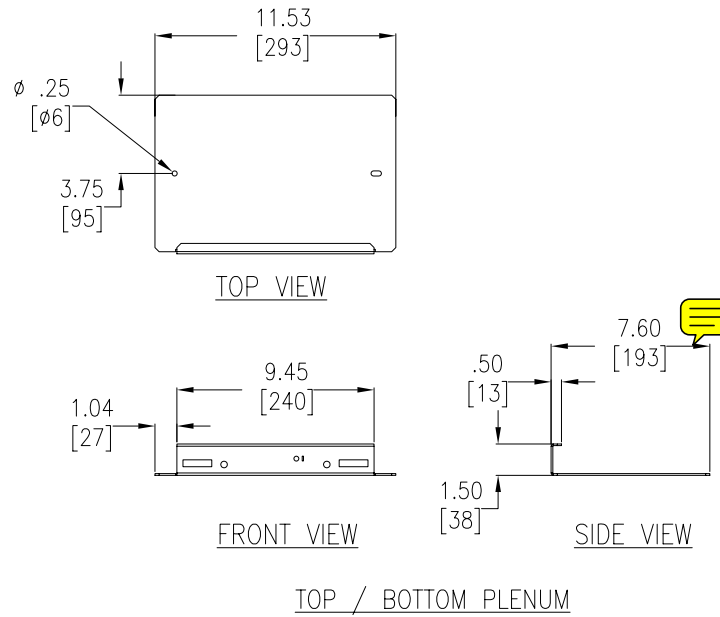
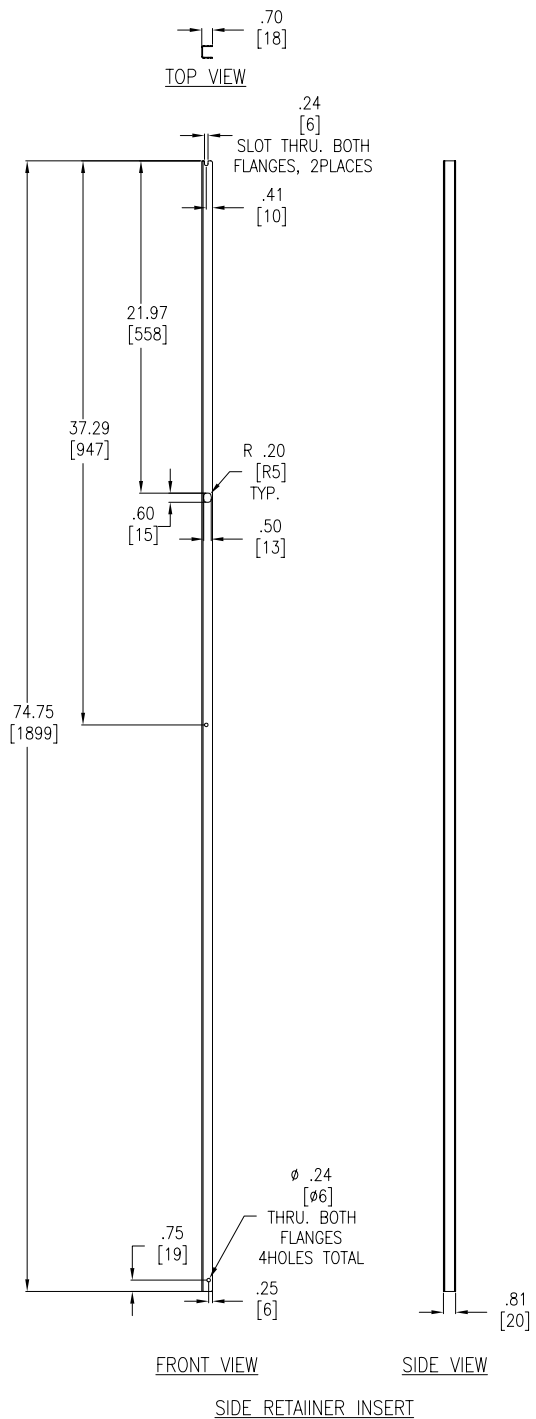
REV. 0

DRAWN: C KRISHNA 02-JAN-08

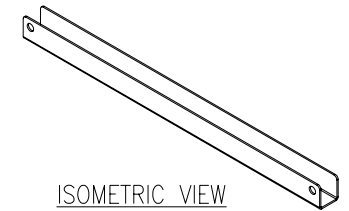
ENGINEER: G.VEY/M.BROWN 02-JAN-08

APPROVED: C.CUMMISKEY/C.ZALDIVAR 02-JAN-08

THIRD
ANGLE
PROJECTION



ISOMETRIC VIEW
TOP / BOTTOM
PLENUM



ISOMETRIC VIEW
BOTTOM RETAINER INSERT

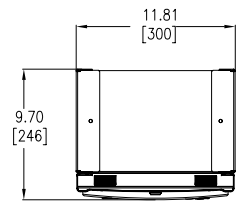
NOTES:

- PLEASE REFER TO INSTALLATION MANUAL FOR DETAILS
- ALL DIMENSIONS ARE IN INCHES [MILLIMETERS].
- INSTALLATION MUST COMPLY WITH ALL APPLICABLE NATIONAL AND LOCAL CODES.

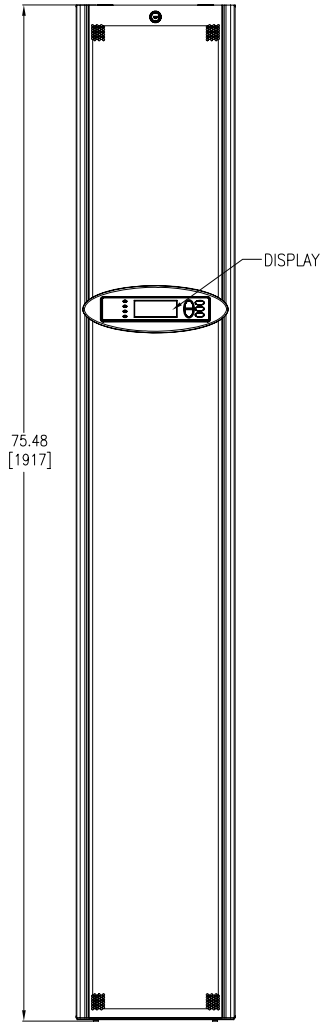
THIS DRAWING AND SPECIFICATIONS HEREIN ARE THE PROPERTY OF AMERICAN POWER CONVERSION AND SHALL NOT BE COPIED, REPRODUCED OR USED IN WHOLE OR IN PART, AS THE BASIS FOR THE MANUFACTURE OR SALE OF ITEMS WITHOUT WRITTEN PERMISSION FROM APC. THIS DRAWING IS BASED UPON LATEST AVAILABLE INFORMATION AND IS SUBJECT TO CHANGE WITHOUT NOTICE.



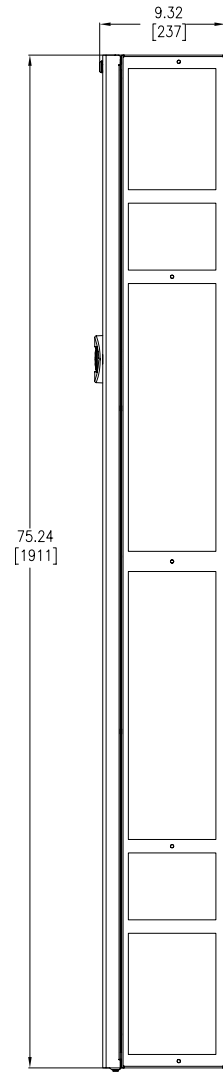
TITLE: RACK AIR CONTAINMENT FRONT ASSEMBLY FOR INROW RC & SC SIDE AND BOTTOM RETAINER INSERT AND TOP OR BOTTOM PLENUM PROJECT: SUBMITTAL DRAWINGS SHEET 2 OF 3	DWG NO: ACCS1003-MM2	REV. 0
	DRAWN: C KRISHNA ENGINEER: G.NEY/M.BROWN	02-JAN-08 02-JAN-08



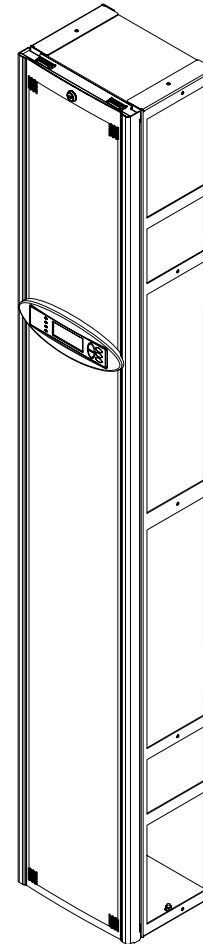
TOP VIEW



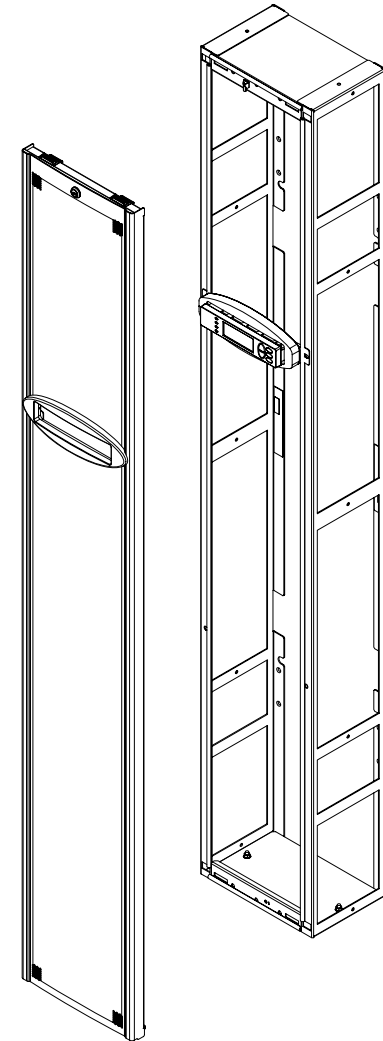
FRONT VIEW



SIDE PLENUM



ISOMETRIC VIEW



EXPLODED VIEW

ACCS1000 ASSEMBLY

NOTES:

1. PLEASE REFER TO INSTALLATION MANUAL FOR DETAILS
2. ALL DIMENSIONS ARE IN INCHES [MILLIMETERS].
3. WEIGHT OF UNIT IS 30.0 LBS [13.64kg]
4. INSTALLATION MUST COMPLY WITH ALL APPLICABLE NATIONAL AND LOCAL CODES.

THIS DRAWING AND SPECIFICATIONS HEREIN ARE THE PROPERTY OF AMERICAN POWER CONVERSION AND SHALL NOT BE COPIED, REPRODUCED OR USED IN WHOLE OR IN PART, AS THE BASIS FOR THE MANUFACTURE OR SALE OF ITEMS WITHOUT WRITTEN PERMISSION FROM APC. THIS DRAWING IS BASED UPON LATEST AVAILABLE INFORMATION AND IS SUBJECT TO CHANGE WITHOUT NOTICE.



TITLE:
RACK AIR CONTAINMENT
FRONT ASSEMBLY FOR
INROW RC & SC
ASSEMBLY

PROJECT: SUBMITTAL DRAWINGS SHEET 3 OF 3

DWG NO:	ACCS1003-MM3	REV:	0
DRAWN:	C KRISHNA	02-JAN-08	THIRD
ENGINEER:	G.VEY/M.BROWN	02-JAN-08	ANGLE
APPROVED:	C.CUMMISKEY/C.ZALDIVAR	02-JAN-08	PROJECTION