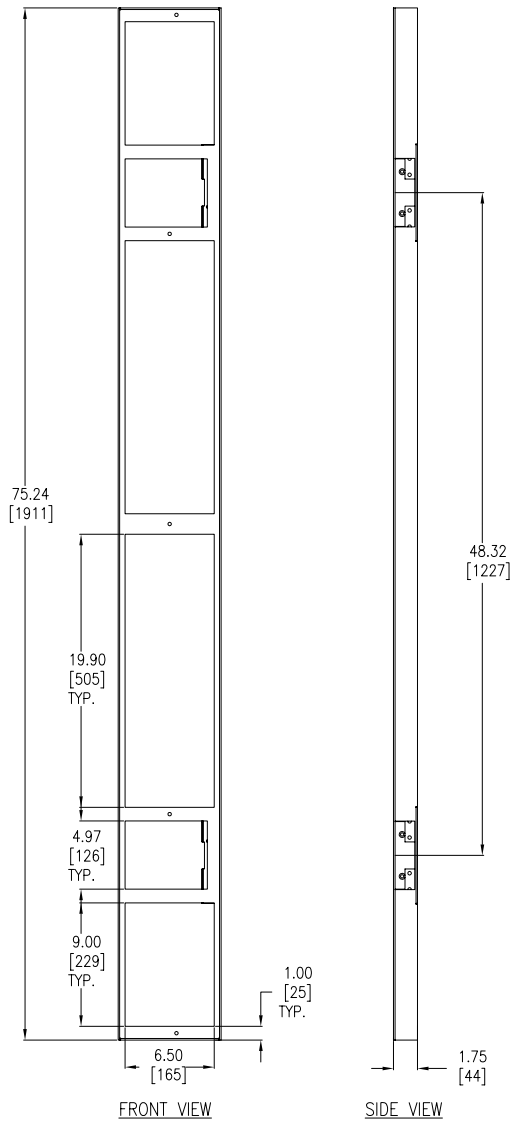


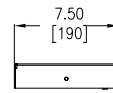
TOP VIEW



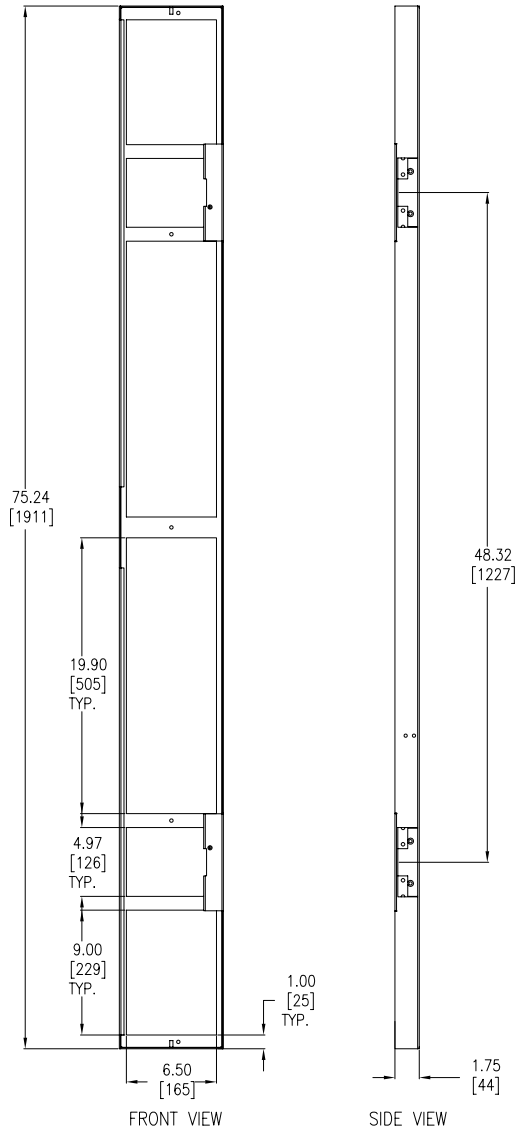
FRONT VIEW

SIDE VIEW

LEFT SIDE PLENUM



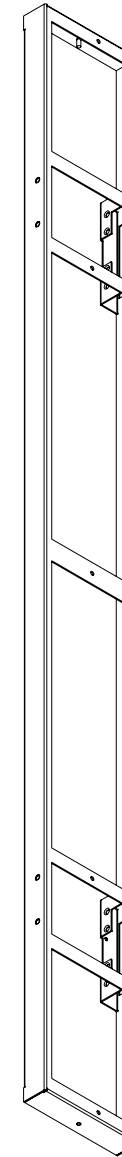
TOP VIEW



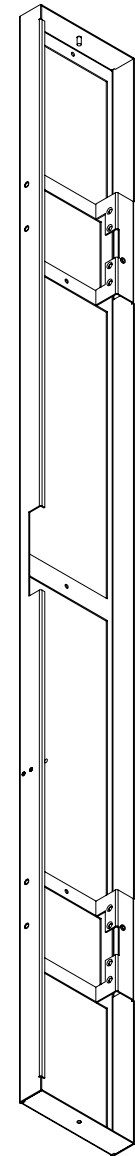
FRONT VIEW

SIDE VIEW

RIGHT SIDE PLENUM



ISOMETRIC VIEW
LEFT SIDE PLENUM



ISOMETRIC VIEW
RIGHT SIDE PLENUM

NOTES:

- PLEASE REFER TO INSTALLATION MANUAL FOR DETAILS
- ALL DIMENSIONS ARE IN INCHES [MILLIMETERS].
- INSTALLATION MUST COMPLY WITH ALL APPLICABLE NATIONAL AND LOCAL CODES.

THIS DRAWING AND SPECIFICATIONS HEREIN ARE THE PROPERTY OF AMERICAN POWER CONVERSION AND SHALL NOT BE COPIED, REPRODUCED OR USED IN WHOLE OR IN PART, AS THE BASIS FOR THE MANUFACTURE OR SALE OF ITEMS WITHOUT WRITTEN PERMISSION FROM APC. THIS DRAWING IS BASED UPON LATEST AVAILABLE INFORMATION AND IS SUBJECT TO CHANGE WITHOUT NOTICE.



TITLE:

RACK AIR CONTAINMENT
FRONT ASSEMBLY FOR
INROW RP
LEFT AND RIGHT SIDE PLENUMS

PROJECT: SUBMITTAL DRAWINGS SHEET 1 OF 4

DWG NO:

ACCS1004-MM1

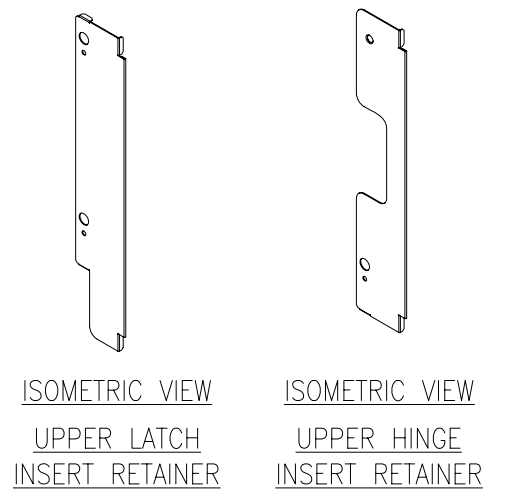
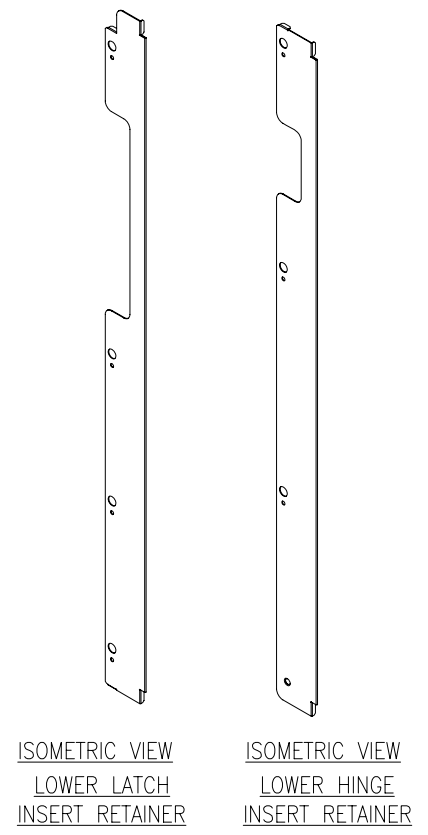
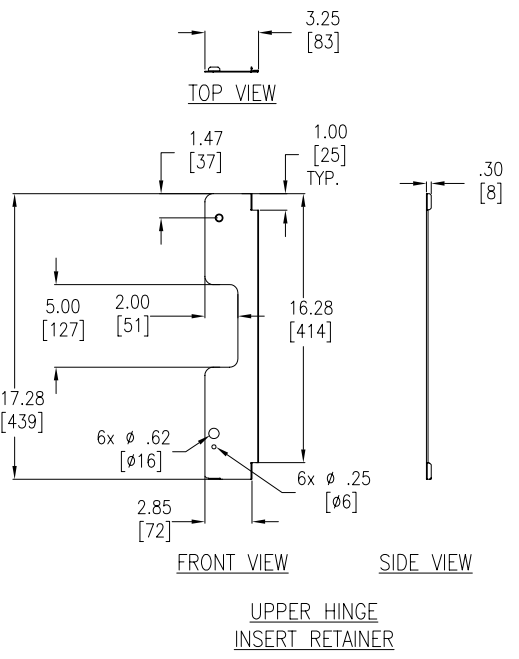
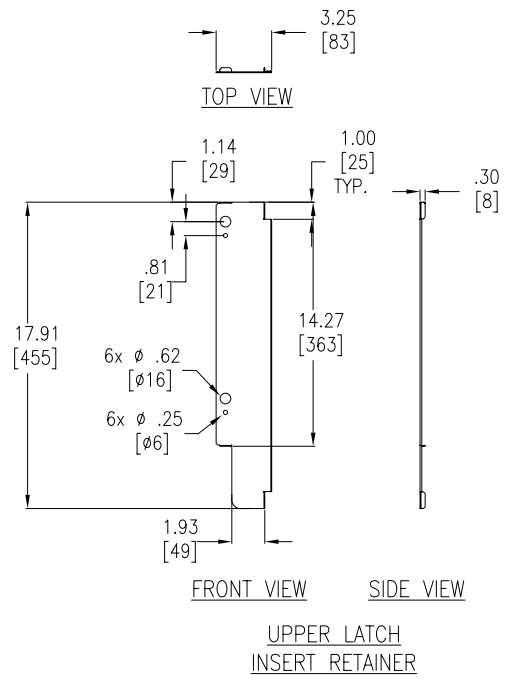
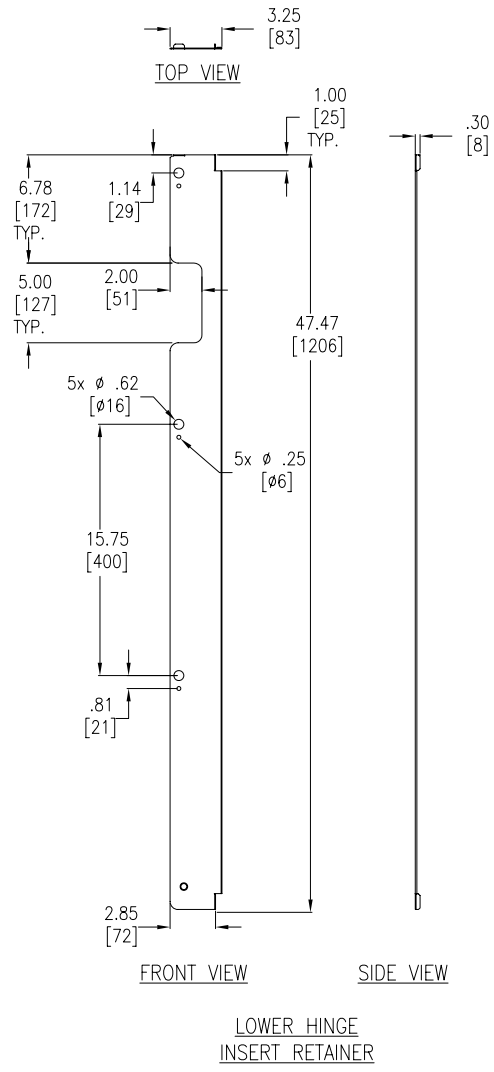
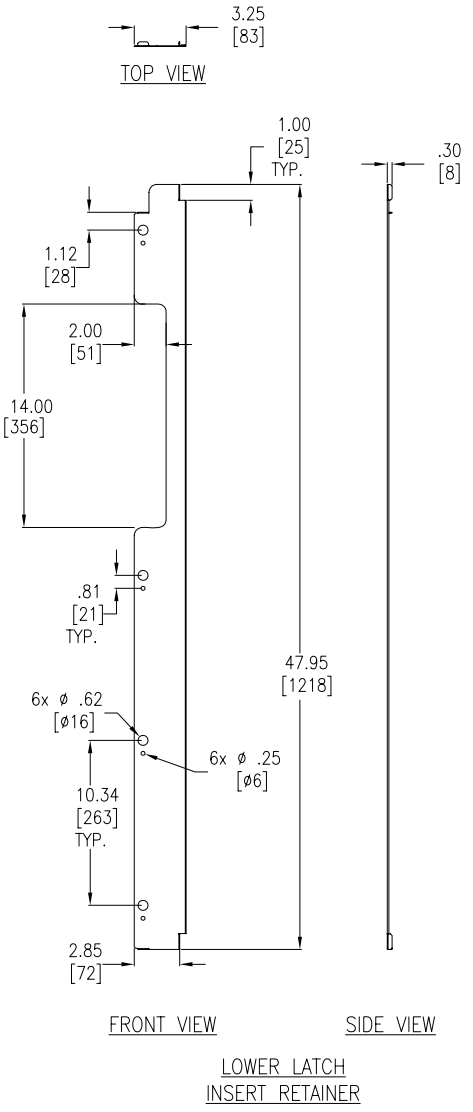
DRAWN: C KRISHNA 02-JAN-08

ENGINEER: G.VEY/M.BROWN 02-JAN-08

APPROVED: C.CUMMISKEY/C.ZALDIVAR 02-JAN-08

REV. 0

THIRD
ANGLE
PROJECTION



NOTES:
 1. PLEASE REFER TO INSTALLATION MANUAL FOR DETAILS
 2. ALL DIMENSIONS ARE IN INCHES [MILLIMETERS].
 3. INSTALLATION MUST COMPLY WITH ALL APPLICABLE NATIONAL AND LOCAL CODES.

THIS DRAWING AND SPECIFICATIONS HEREIN ARE THE PROPERTY OF AMERICAN POWER CONVERSION AND SHALL NOT BE COPIED, REPRODUCED OR USED IN WHOLE OR IN PART, AS THE BASIS FOR THE MANUFACTURE OR SALE OF ITEMS WITHOUT WRITTEN PERMISSION FROM APC. THIS DRAWING IS BASED UPON LATEST AVAILABLE INFORMATION AND IS SUBJECT TO CHANGE WITHOUT NOTICE.



TITLE:
 RACK AIR CONTAINMENT
 FRONT ASSEMBLY FOR
 INROW RP
 LOWER AND UPPER INSERTS

PROJECT: SUBMITTAL DRAWINGS SHEET 3 OF 4

DWG NO: ACCS1004-MM2

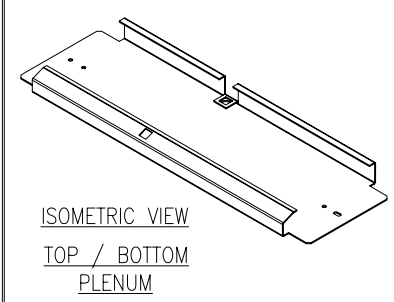
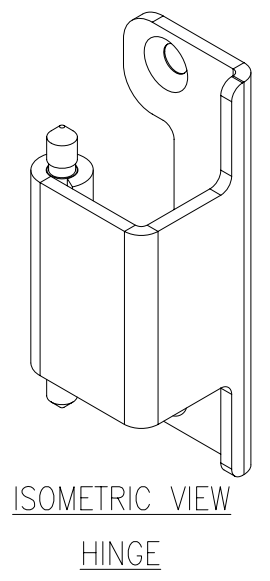
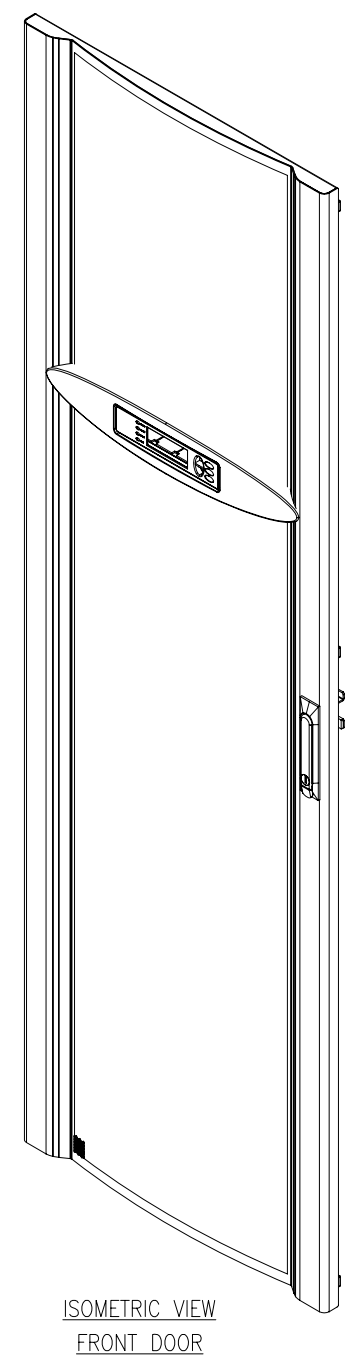
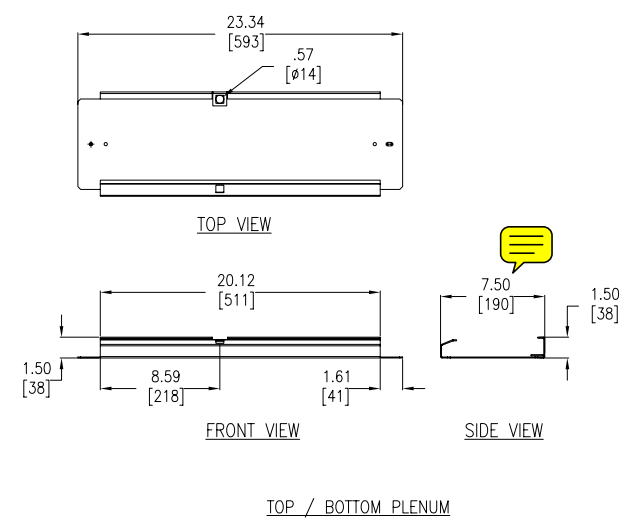
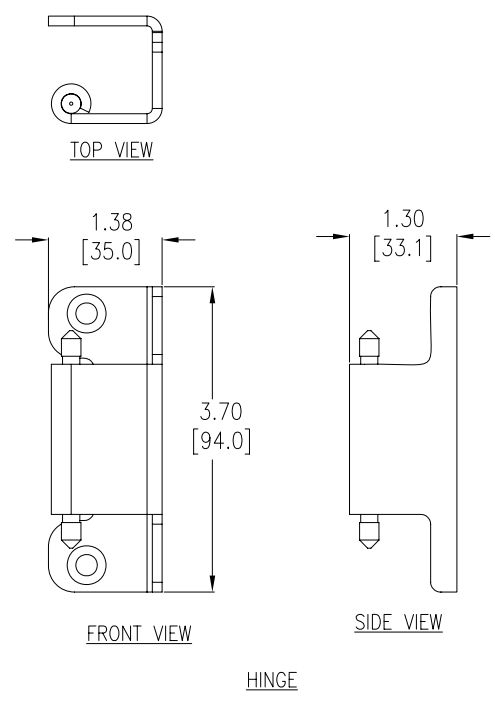
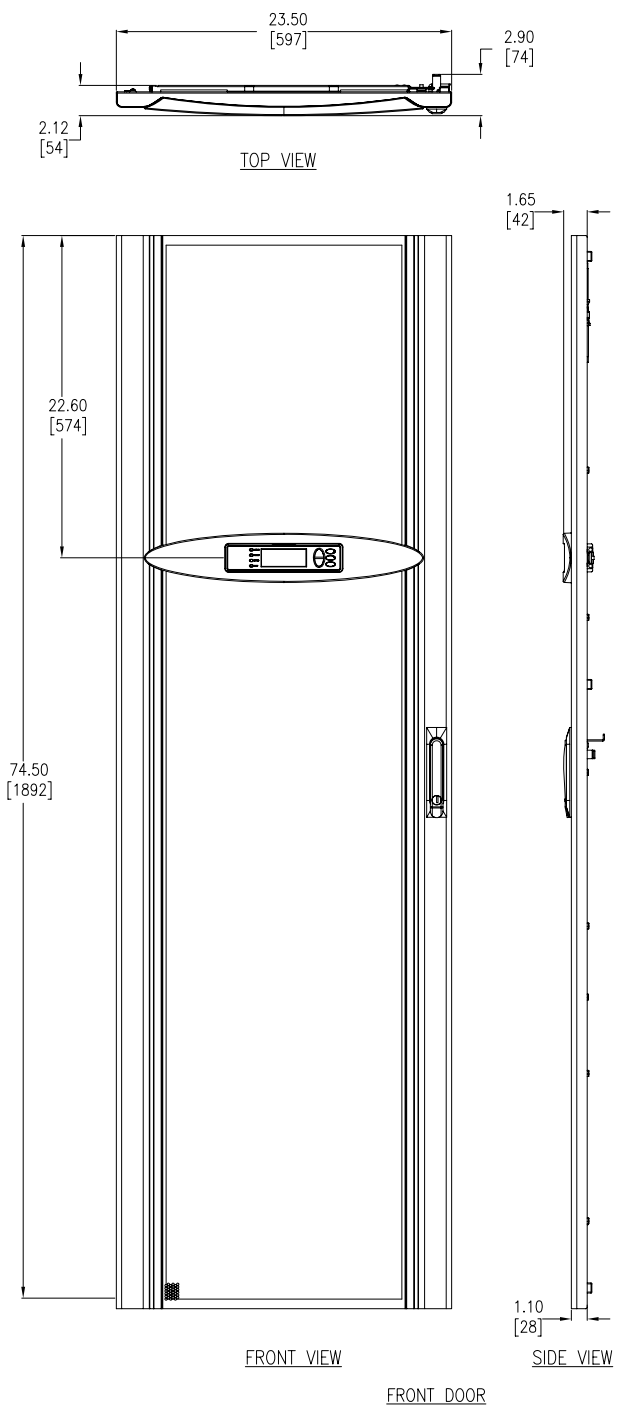
REV: 0

DRAWN: C. KRISHNA 02-JAN-08

ENGINEER: G. NEY/M. BROWN 02-JAN-08

APPROVED: C. CUMMISKEY/C. ZALDIVAR 02-JAN-08

THIRD ANGLE PROJECTION



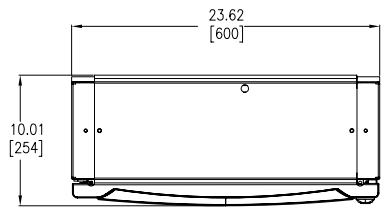
NOTES:
 1. PLEASE REFER TO INSTALLATION MANUAL FOR DETAILS
 2. ALL DIMENSIONS ARE IN INCHES [MILLIMETERS].
 3. INSTALLATION MUST COMPLY WITH ALL APPLICABLE NATIONAL AND LOCAL CODES.

THIS DRAWING AND SPECIFICATIONS HEREIN ARE THE PROPERTY OF AMERICAN POWER CONVERSION AND SHALL NOT BE COPIED, REPRODUCED OR USED IN WHOLE OR IN PART, AS THE BASIS FOR THE MANUFACTURE OR SALE OF ITEMS WITHOUT WRITTEN PERMISSION FROM APC. THIS DRAWING IS BASED UPON LATEST AVAILABLE INFORMATION AND IS SUBJECT TO CHANGE WITHOUT NOTICE.

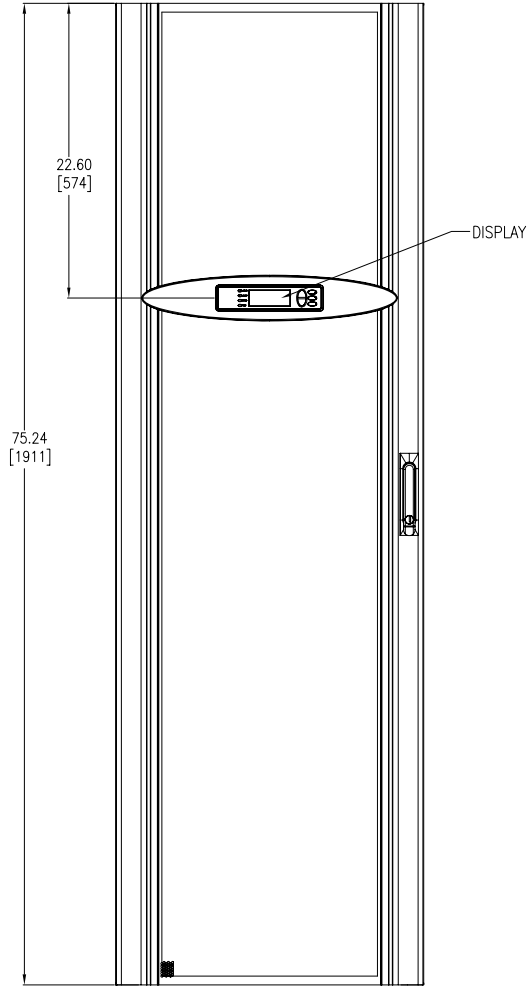


TITLE:
 RACK AIR CONTAINMENT
 FRONT ASSEMBLY FOR
 INROW RP
 DOOR, PLENUM AND HINGE DETAILS
 PROJECT: SUBMITTAL DRAWINGS SHEET 3 OF 4

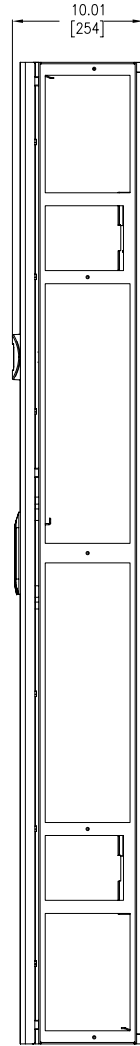
DWG NO:	ACCS1004-MM3	REV:	0
DRAWN:	C KRISHNA	DATE:	02-JAN-08
ENGINEER:	G.VEY/M.BROWN	DATE:	02-JAN-08
APPROVED:	C.CUMMISKEY/C.ZALDIVAR	DATE:	02-JAN-08
			THIRD ANGLE PROJECTION



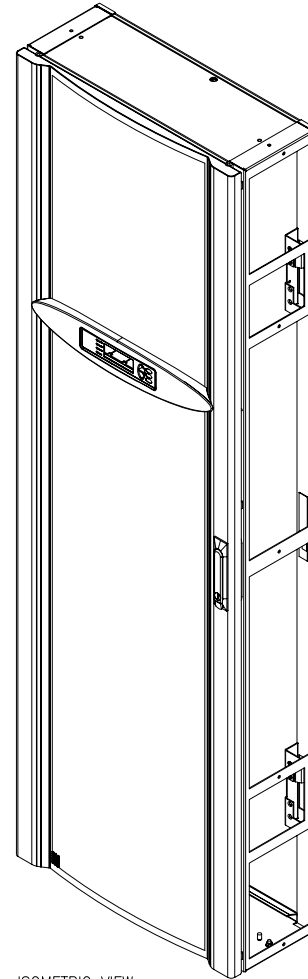
TOP VIEW



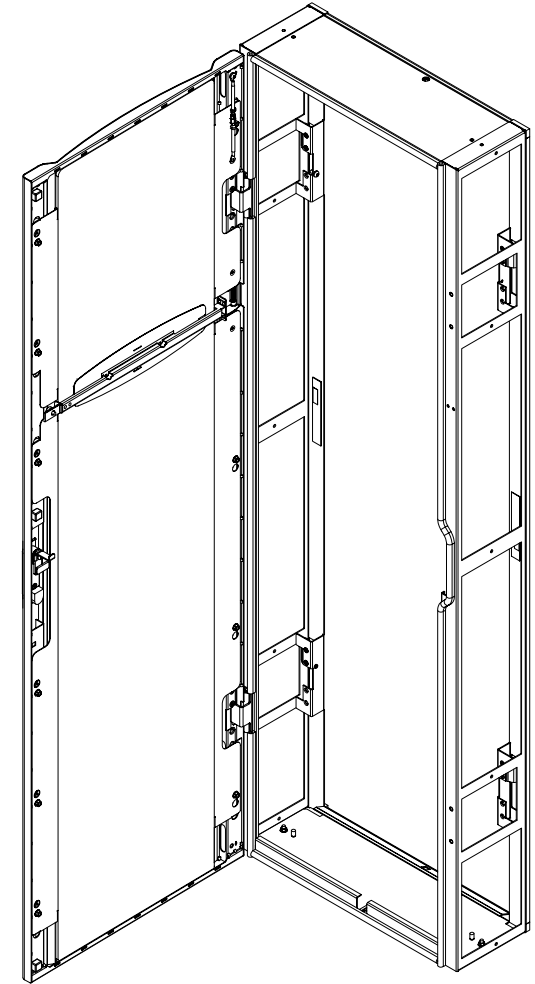
FRONT VIEW



SIDE VIEW



ISOMETRIC VIEW



ISOMETRIC VIEW
DOOR OPEN

NOTES:

1. PLEASE REFER TO INSTALLATION MANUAL FOR DETAILS
2. ALL DIMENSIONS ARE IN INCHES [MILLIMETERS].
3. WEIGHT OF UNIT IS 47.3 LBS [21.50 kg]
4. INSTALLATION MUST COMPLY WITH ALL APPLICABLE NATIONAL AND LOCAL CODES.

THIS DRAWING AND SPECIFICATIONS HEREIN ARE THE PROPERTY OF AMERICAN POWER CONVERSION AND SHALL NOT BE COPIED, REPRODUCED OR USED IN WHOLE OR IN PART, AS THE BASIS FOR THE MANUFACTURE OR SALE OF ITEMS WITHOUT WRITTEN PERMISSION FROM APC. THIS DRAWING IS BASED UPON LATEST AVAILABLE INFORMATION AND IS SUBJECT TO CHANGE WITHOUT NOTICE.



TITLE:

RACK AIR CONTAINMENT
FRONT ASSEMBLY FOR
INROW RP
ASSEMBLY

DWG NO:

ACCS1004-MM4

REV. 0

DRAWN:

C KRISHNA 02-JAN-08

ENGINEER:

G.VEY/M.BROWN 02-JAN-08

PROJECT: SUBMITTAL DRAWINGS SHEET 4 OF 4

APPROVED: C.CUMMISKEY/C.ZALDIVAR 02-JAN-08

THIRD
ANGLE
PROJECTION